



USER'S GUIDE

V:1807-0706-10



---

## BT780B

### Portable DVD Stereo System

---

*For the most up-to-date version of this User's Guide, go to [www.gpx.com](http://www.gpx.com)*

## WARNINGS AND PRECAUTIONS

- **CAUTION:** TO PREVENT ELECTRIC SHOCK, MATCH WIDE BLADE OF PLUG TO WIDE SLOT, FULLY INSERT.
- **WARNING:** To reduce the risk of fire or electric shock, do not expose this apparatus to rain or moisture.
- **AVERTISSEMENT:** Pour réduire le risque d'incendie ou de choc électrique, ne pas exposer cet appareil sous la pluie et l'humidité.
- **CAUTION:** Use of controls or adjustments or performance of procedures other than those specified may result in hazardous radiation exposure.
- **WARNING:** Changes or modifications to this unit not expressly approved by the party responsible for compliance could void the user's authority to operate the equipment.
- **WARNING:** Do not place the unit on top of any soft, porous, or sensitive surfaces to avoid damaging the surface. Use a protective barrier between the unit and surface to protect the surface.
- **WARNING:** Use of this unit near fluorescent lighting may cause interference regarding use of the remote. If the unit is displaying erratic behavior move away from any fluorescent lighting, as it may be the cause.
- **CAUTION:** Danger of explosion if battery is incorrectly replaced. Replace only with the same or equivalent type.
- **PRECAUTION:** *Danger d'explosion si les piles sont remplacées de façon incorrecte. Remplacer les piles seulement par le même type de pile ou l'équivalent.*
- **WARNING:** There is a danger of explosion if you attempt to charge standard Alkaline batteries in the unit. Only use rechargeable NiMH batteries.
- **WARNING:** The remote control's button cell battery contains mercury. Do not put in the trash, instead recycle or dispose of as hazardous waste.
- **WARNING:** Lithium batteries, like all rechargeable batteries are recyclable and should be recycled or disposed of in normal household waste. Contact your local government for disposal or recycling practices in your area. They should never be incinerated since they might explode.

Main plug is used as disconnect device and it should remain readily operable during intended use.

Do not mix old and new batteries.

Do not mix alkaline, standard (carbon-zinc), or rechargeable (ni-cad, ni-mh, etc) batteries.

*No mezcle baterias viejas y nuevas.*

*No mezcle baterias alcalinas, estándar (carbone-zinc) o recargables (ni-cad, ni-mh, etc.).*

**CAUTION**  
RISK OF ELECTRIC SHOCK  
DO NOT OPEN

**WARNING:** TO REDUCE THE RISK OF ELECTRIC SHOCK, DO NOT REMOVE COVER (OR BACK). NO USER-SERVICEABLE PARTS INSIDE. REFER SERVICING TO QUALIFIED SERVICE PERSONNEL.



The lightning flash with arrowhead symbol, within an equilateral triangle, is intended to alert the user to the presence of uninsulated "dangerous voltage" within the product's enclosure that may be of sufficient magnitude to constitute a risk of electric shock to persons.



The exclamation point within an equilateral triangle is intended to alert the user to the presence of important operating and maintenance (servicing) instructions in the literature accompanying the appliance.



This product utilizes a Class I laser to read Compact Discs. This Laser Compact Disc Player is equipped with safety switches to avoid exposure when the CD door is open and the safety interlocks are defeated. Invisible laser radiation is present when the CD Player's lid is open and the system's interlock has failed or been defeated. It is very important that you avoid direct exposure to the laser beam at all times. Please do not attempt to defeat or bypass the safety switches.

## IMPORTANT SAFETY INSTRUCTIONS

1. Read these Instructions.
2. Keep these Instructions.
3. Heed all Warnings.
4. Follow all instructions.
5. Do not use this apparatus near water.
6. Clean only with a dry cloth.
7. Do not block any ventilation openings. Install in accordance with the manufacturer's instructions.
8. Do not install near any heat sources such as radiators, heat registers, stoves, or other apparatus (including amplifiers) that produce heat.
9. Do not defeat the safety purpose of the polarized or grounding - type plug. A polarized plug has two blades with one wider than the other. A grounding type plug has two blades and a third grounding prong. The wide blade or the third prong are provided for your safety. When the provided plug does not fit into your outlet, consult an electrician for replacement of the obsolete outlet.
10. Protect the power cord from being walked on or pinched particularly at plugs, convenience receptacles, and the point where they exit from the apparatus.
11. Only use attachments/accessories specified by the manufacturer.
12. Use only with a cart, stand, tripod, bracket, or table specified by the manufacturer, or sold with the apparatus. When a cart is used, use caution when moving the cart/apparatus combination to avoid injury from tip-over.
13. Unplug this apparatus during lightning storms or when unused for long periods of time.
14. Refer all servicing to qualified service personnel. Servicing is required when the apparatus has been damaged in any way, such as power-supply cord or plug is damaged, liquid has been spilled or objects have fallen into the apparatus, the apparatus has been exposed to rain or moisture, does not operate normally, or has been dropped.



## FCC Warnings

NOTE: This equipment has been tested and found to comply with the limits for a Class B digital device, pursuant to Part 15 of the FCC Rules. These limits are designed to provide reasonable protection against harmful interference in a residential installation. This equipment generates, uses, and can radiate radio frequency energy and, if not installed and used in accordance with the instructions, may cause harmful interference to radio communications. However, there is no guarantee that interference will not occur in a particular installation. If this equipment does cause harmful interference to radio or television reception, which can be determined by turning the equipment off and on, the user is encouraged to try to correct the interference by one or more of the following measures:

- Reorient or relocate the receiving antenna.
- Increase the separation between the equipment and receiver.
- Connect the equipment into an outlet on a circuit different from that to which the receiver is connected.
- Consult the dealer or an experienced radio/TV technician for help.

## Additional Warnings

- The apparatus shall not be exposed to dripping or splashing and that no objects filled with liquids, such as vases, shall be placed on apparatus.

*L'appareil ne doit pas être exposé aux écoulements ou aux éclaboussures et aucun objet ne contenant de liquide, tel qu'un vase, ne doit être placé sur l'objet.*

- Main plug is used as disconnect device and it should remain readily operable during intended use. In order to disconnect the apparatus from the mains completely, the mains plug should be disconnected from the mains socket outlet completely.

*La prise du secteur ne doit pas être obstruée ou doit être facilement accessible pendant son utilisation. Pour être complètement déconnecté de l'alimentation d'entrée, la prise doit être débranchée du secteur.*

- Battery shall not be exposed to excessive heat such as sunshine, fire or the like.

*Les piles ne doivent pas être exposées à de forte chaleur, tel qu'à la lumière du soleil, au feu ou autres choses de semblable.*

- The marking information is located at the rear of the apparatus.

*Les marquages sont inscrits de derrière de l'appareil.*

- Caution marking is located at the bottom of apparatus.

*Les précautions d'emploi sont inscrites en bas de l'appareil.*

## PORTABLE DVD STEREO SYSTEM

### Features

- CD player: CD, CD-R/RW, JPEG CD, MP3 CD
- Karaoke: CD+G
- DVD player: DVD, DVD±R/RW
- 7" TFT display
- AM/FM stereo radio
- Telescopic FM antenna
- Built-in speakers
- ATSC/NTSC HDTV tuner
- Electronic Program Guide
- Line input (3.5mm)
- Stereo headphone jack
- Microphone input
- USB thumb drive port
- Stereo audio output
- SD memory card slot
- DC battery power: requires 8 C batteries (not included)
- AC power input: requires an AC power cable (included)

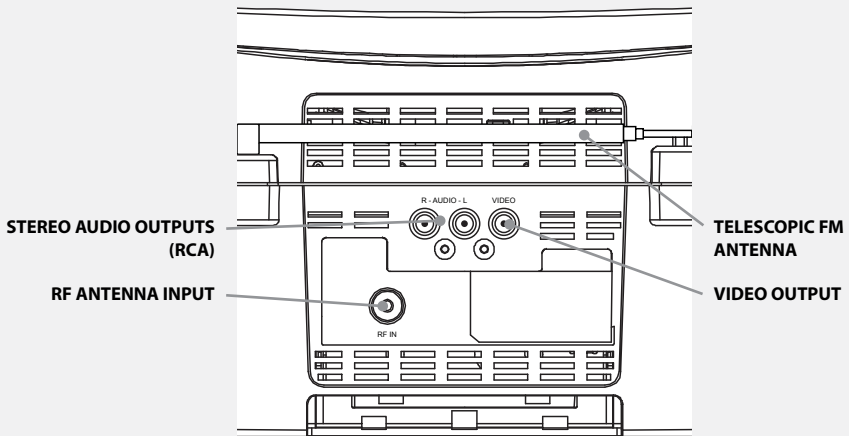
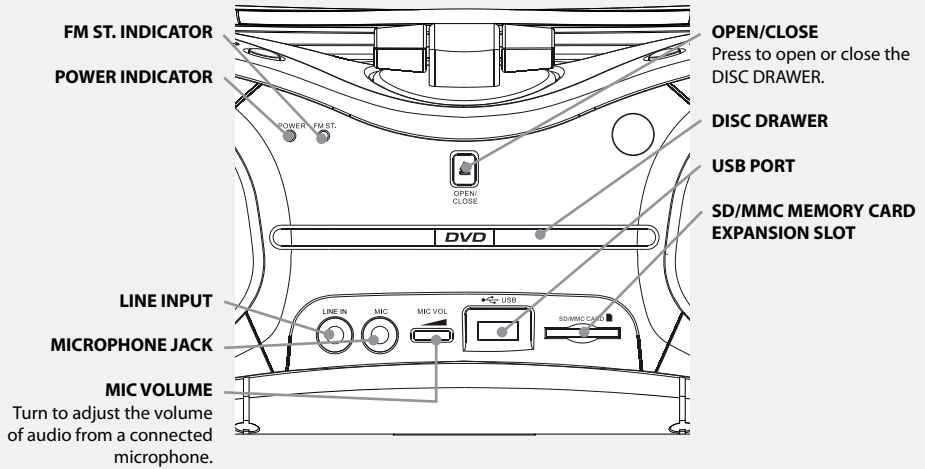
### Included

- BT780B
- Remote control: requires 1 CR2025 battery (pre-installed)
- AC power cable
- External TV antenna

## TABLE OF CONTENTS

<b>INTRODUCTION</b>	<b>6</b>
<b>SETUP</b>	<b>9</b>
<b>TELEVISION</b>	<b>10</b>
<b>DVD AND CD</b>	<b>12</b>
<b>SETUP MENU</b>	<b>13</b>
<b>USB AND SD/MMC CARDS</b>	<b>14</b>
<b>MISCELLANEOUS OPERATIONS</b>	<b>15</b>
<b>COMPANY INFORMATION</b>	<b>16</b>

# INTRODUCTION



**HEADPHONE JACK**

**VOLUME**  
Turn to adjust the volume.

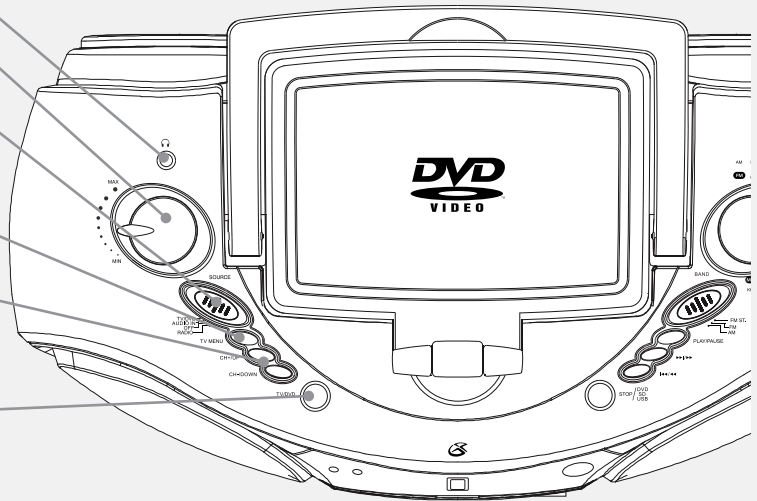
**SOURCE**  
Adjust to switch between TV/DVD, LINE IN, OFF, and RADIO modes.

**TV MENU**  
Press to view the TV MENU.

**CH +/UP/CH-/DOWN**  
Press to adjust the television channel and navigate the setup menu.

**TV/DVD**  
Press to switch between TV and DVD modes.

**TELEVISION DISPLAY**



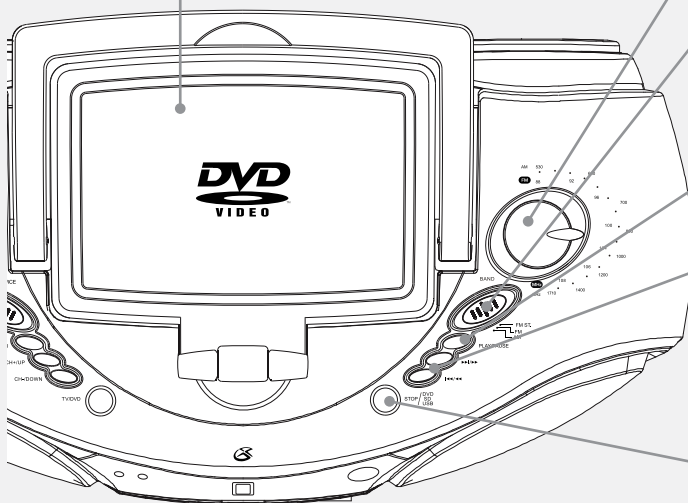
**TUNING**  
Turn to adjust the AM or FM radio station.

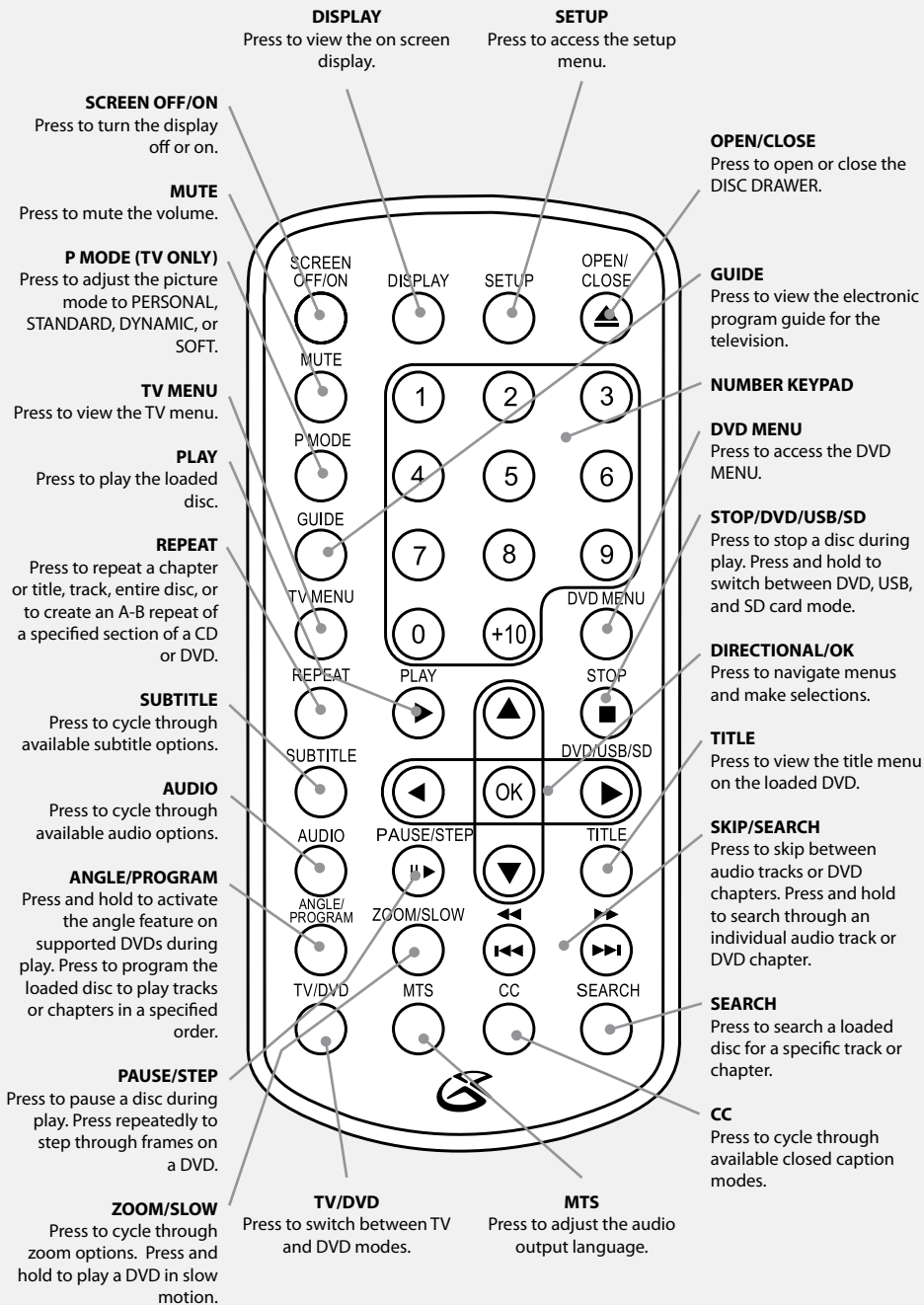
**BAND**  
Adjust to switch between AM, FM, and FM ST. modes.

**PLAY/PAUSE**  
Press to play or pause a loaded disc.

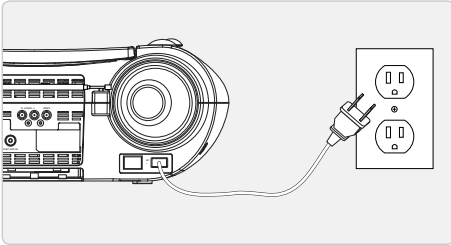
**SKIP/SEARCH**  
Press to skip between audio tracks or DVD chapters. Press and hold to search through an individual audio track or DVD chapter. Press to navigate the setup menu.

**STOP/DVD/SD/USB**  
Press to stop a disc during play. Press and hold to switch between DVD, CARD, or USB modes.



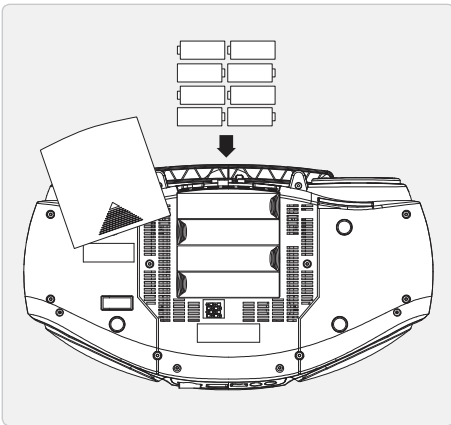






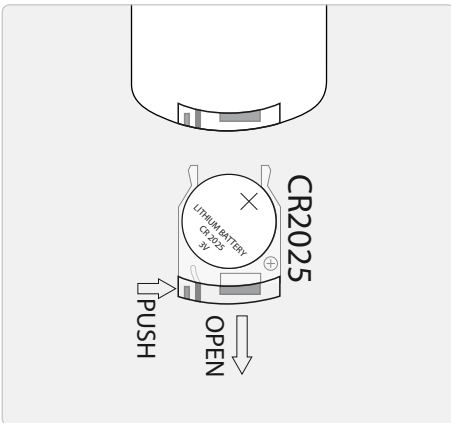
**Power**

Plug the included AC power cable into AC POWER INPUT and a standard AC power outlet to power the portable DVD stereo system.



**Battery Power**

Requires 8 C batteries (not included)



**Remote**

Requires 1 CR2025 battery (pre-installed)

## TELEVISION

### Connecting a TV Antenna or Cable

*A TV Antenna or Cable must be connected before the portable DVD stereo system can be used as a television.*

- 1 Connect the TV Antenna (included) or Cable to the **RF ANTENNA INPUT**.

### Choosing AIR or CATV

*Before scanning for channels, you must choose how your portable DVD stereo system is connected to a television signal.*

- 1 Follow the instructions for CONNECTING A TV ANTENNA OR CABLE.
- 2 Adjust the **SOURCE** switch to TV/DVD.
- 3 Press the **TV/DVD** button repeatedly to select TV mode. Press the **OK** button on the remote.
- 4 Press the **TV MENU** button.
- 5 Press the **DIRECTIONAL** buttons on the remote to select television settings (farthest option to the right).
- 6 Press the **DIRECTIONAL** (▼ ▲) buttons on the remote to select ANTENNA.
- 7 Press the **DIRECTIONAL** (◀ ▶) buttons on the remote to switch between AIR (antenna) or CATV (cable).
- 8 Press the **TV MENU** button on the remote after selecting AIR or CATV.

### Auto Scanning for Channels

*The auto scan feature must be run before the portable DVD stereo system can play television channels.*

- 1 Follow the instructions for CONNECTING A TV ANTENNA OR CABLE and CHOOSING AIR OR CATV.
- 2 Adjust the **SOURCE** switch to TV/DVD.
- 3 Press the **TV/DVD** button repeatedly to select TV mode. Press the **OK** button on the remote.
- 4 Press the **TV MENU** button.
- 5 Press the **DIRECTIONAL** buttons on the remote to select television settings (farthest option to the right).
- 6 Press the **DIRECTIONAL** buttons on the remote to select AUTO SCAN. Press the **OK** button on the remote.
- 7 Press the **DIRECTIONAL** buttons on the remote to select START TO SCAN. Press the **OK** button on the remote.

*The portable DVD stereo system will now automatically scan for available channels.*

## Watching Television

- 1 Follow the instructions for **CONNECTING A TV ANTENNA, CHOOSING AIR OR CATV (CABLE), and AUTO SCANNING FOR CHANNELS.**
- 2 Adjust the **SOURCE** switch to TV/ DVD.
- 3 Press the **TV/DVD** button repeatedly to select TV mode. Press the **OK** button on the remote.
- 4 Press the **CH+/UP** and **CH-/DOWN** buttons to flip through the available channels.
- 5 Press the **GUIDE** button to see the electronic program guide.

## TV Menu

### DISPLAY

- Picture Mode: Standard, Dynamic, Soft, Personal
- Contrast
- Brightness
- Sharpness
- Tint
- Color

### AUDIO

- Balance
- Audio Language: English, French, Spanish

### CLOCK

- OSD Duration
- Sleep Timer
- Time Zone
- Daylight Saving Time
- Clock

### SETTINGS

- Menu Language: English, French, Spanish
- Color Mode: Normal, Warm, Cool
- Zoom Mode: Wide, Normal
- Closed Caption
- Restore Default

### TELEVISION

- Antenna: Air, CATV
- Auto Scan
- Show/Hide
- Channel No.
- Channel Label

## DVD AND CD

### Disc Compatibility

- DVD player: DVD, DVD±R/RW
- CD player: CD, CD-R/RW, JPEG CD, MP3 CD
- Karaoke: CD+G

### Loading a Disc

- 1 Adjust the **SOURCE** switch to TV/DVD.
- 2 Press the **TV/DVD** button repeatedly to select DVD mode. Press the **OK** button on the remote.
- 3 Press the **OPEN/CLOSE** button to open the DISC DRAWER.
- 4 Load a DVD or CD into the DISC DRAWER (label-side facing up).
- 5 Press the **OPEN/CLOSE** button to close the DISC DRAWER.

### Playing a Disc

- 1 Follow the instructions for LOADING A DISC.
- 2 Adjust the **SOURCE** switch to TV/DVD.
- 3 Press the **TV/DVD** button repeatedly to select DVD mode. Press the **OK** button on the remote.
- 4 Press the **PLAY/PAUSE** button to begin playing the loaded disc.

### Programming a Disc

- 1 Follow the instructions for LOADING A DISC and PLAYING A DISC.
- 2 Adjust the **SOURCE** switch to TV/DVD.
- 3 Press the **TV/DVD** button repeatedly to select DVD mode. Press the **OK** button on the remote.
- 4 Press the **PROGRAM** button on the remote.
- 5 Use the **NUMBER KEYPAD** to enter in the track or chapter and title.
- 6 Press the **DIRECTIONAL** buttons to select the next open slot.
- 7 Repeat steps 6 and 7 until the desired tracks or chapters are programmed.
- 8 Use the **DIRECTIONAL** buttons to highlight the on screen PLAY button.
- 9 Press the **OK** button on the remote to begin playing the programmed tracks or chapters.

*Press the **STOP** button twice to cancel the programmed disc.*

**Setup Menu****SYSTEM SETUP**

- TV SYSTEM
- SCREEN SAVER
- TV TYPE
- DEFAULT
- EXIT SETUP

**LANGUAGE SETUP**

- OSD LANGUAGE
- AUDIO LANGUAGE
- SUBTITLE LANGUAGE
- MENU LANGUAGE
- EXIT SETUP

**VIDEO SETUP**

- BRIGHTNESS
- CONTRAST
- HUE
- SATURATION
- EXIT SETUP

**SPEAKER SETUP**

- DOWNMIX
- EXIT SETUP

## USB AND SD/MMC CARDS

### Using the USB Port

- 1 Connect a USB thumb drive to the **USB PORT**.
- 2 Adjust the **SOURCE** switch to TV/DVD.
- 3 Press the **TV/DVD** button repeatedly to select DVD mode. Press the **OK** button on the remote.
- 4 Press and hold the **STOP/DVD/USB/SD** button for 2 seconds.
- 5 Press the **DIRECTIONAL** buttons on the remote to select USB.
- 6 Press the **OK** button.
- 7 Press the **DIRECTIONAL** buttons to navigate content on the connected USB thumb drive.
- 8 Press the **OK** button to make selections and play content from the connected USB thumb drive.

### Using the SD/MMC Port

- 1 Connect a SD or MMC memory card to the **SD/MMC CARD** slot.
- 2 Adjust the **SOURCE** switch to TV/DVD.
- 3 Press the **TV/DVD** button repeatedly to select DVD mode. Press the **OK** button on the remote.
- 4 Press and hold the **STOP/DVD/USB/SD** button for 2 seconds.
- 5 Press the **DIRECTIONAL** buttons on the remote to select CARD.
- 6 Press the **OK** button.
- 7 Press the **DIRECTIONAL** buttons to navigate content on the connected SD or MMC memory card.
- 8 Press the **OK** button to make selections and play content from the connected SD or MMC memory card.

## MISCELLANEOUS OPERATIONS

### Using the Video Output

- 1 Connect the **VIDEO OUTPUT** to a television using an RCA cable (not included).
- 2 Adjust the television to the proper input setting.
- 3 Video played through the portable DVD stereo system will now be seen on the connected television.

### Using the Stereo Audio Outputs

- 1 Connect the **STEREO AUDIO OUTPUTS** to a television or stereo system using an RCA cable (not included).
- 2 Adjust the television or stereo system to the proper input setting.
- 3 Audio played through the portable DVD stereo system will now be heard on the connected television or stereo system.

### Tuning the AM/FM Radio

- 1 Adjust the **SOURCE** switch to RADIO.
- 2 Adjust the **BAND** switch to AM, FM, or FM ST.
- 3 Turn the **TUNING** dial to adjust the radio station.

### Using the Line Input

- 1 Connect an audio source to the **Line Input (3.5mm)** using a line input cable (not included).
- 2 Adjust the **SOURCE** switch to LINE IN.
- 3 Use the native controls on the connected audio device to begin playing music through the connected portable DVD stereo system.

## COMPANY INFORMATION

### International Support

To download this User's Guide in English, Spanish, or French, visit the support section at [www.gpx.com](http://www.gpx.com).

Para transferir esta guía de usuario en inglés, español, o francés, visite la sección de la ayuda en [www.gpx.com](http://www.gpx.com).

Pour télécharger ce guide de l'utilisateur en anglais, espagnol, ou français, visitez la section de soutien chez [www.gpx.com](http://www.gpx.com).

### Contact Information

Phone: 1-888-999-4215

Email: [prodinfo@gpx.com](mailto:prodinfo@gpx.com)

Parts Email: [partsinfo@dpi-global.com](mailto:partsinfo@dpi-global.com)

Website: [www.gpx.com](http://www.gpx.com)